



SH-5 series

ANSI 150RF Flange mount SPDT switch



- 1 ½", 2" & 3" x ANSI 150RF Flange mount
- SS 316L float material
- SS 304 other wetted parts material
- Available in direct switching version for use at up to 100°C or low power switching at up to 200°C
- Aluminium enclosure with screw on lid and cable gland

Technical Specification

Mounting style	External via flange	Flange size	1 ½", 2" & 3"
Float material	316L grade SS	Flange rating	150lb
Maximum Temperature	100°C / 200°C	Other wetted parts	SS 304
Maximum pressure	10 bar	Cable entry	½" BSP
Float SG	0.55 or 0.65	Enclosure rating	IP65
Minimum fluid SG	0.60 or 0.70	Sealing gasket	Not supplied

The SH-5 series are ANSI 150RF flange mount float operated level switches. This design uses a pivoted float arm with a magnet on the inboard end. This magnet when moved by the rising float arm interacts with another magnet in the switch enclosure to give a snap action operation.

Two switching options are available using either microswitches or reed switches, for different switching power and operating temperature ranges.

There are also two float sizes available of either 150x50mm or 150x41mm.

Electrical Specification

	SH-5052/SH-5051	SH-5052RH/SH-5151RH
Contact Form	SPDT	SPDT
Switching Voltage AC Max V	250	400
Switching Voltage DC Max V	120	400
Switching Current Max A	5	1

All ratings are for resistive load only. RH version should be limited to maximum power 60VA

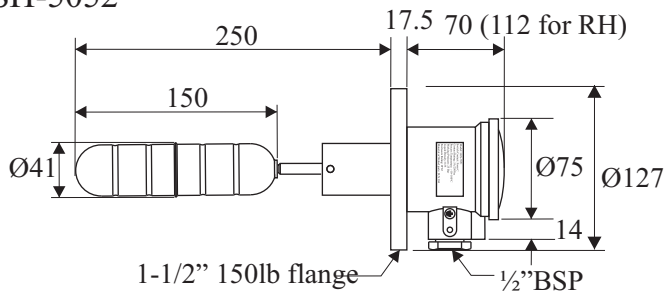
Standard Parts

Standard Parts	Material	Max Current	Temperature Range	Min SG	Mount
SH-5052	SS 316L/304	5	0 - 100°C	0.60	1 ½"
SH-5052RH	SS 316L/304	1	0 - 200°C	0.60	1 ½"
SH-5151	SS 316L/304	5	0 - 100°C	0.70	2"
SH-5151RH	SS 316L/304	1	0 - 200°C	0.70	2"
SH-5653	SS 316L/304	5	0 - 100°C	0.40	3"
SH-5653RH	SS 316L/304	1	0 - 200°C	0.40	3"

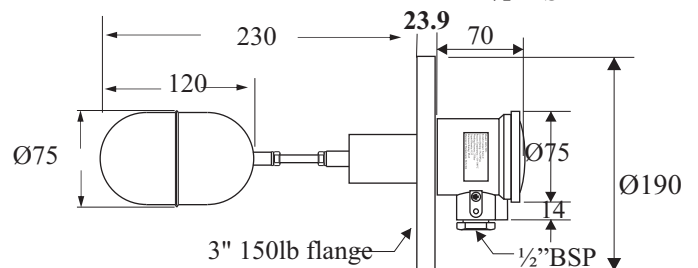
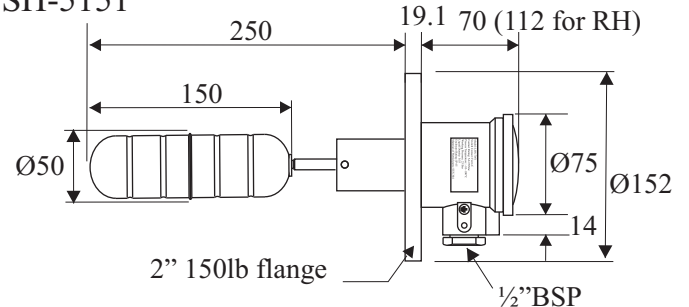
Mechanical Dimensions in mm

Other flange types and pressure ratings may be possible. Please contact Cynergy3 with your requirements.

SH-5052



SH-5151



Cynergy3 Components Ltd.
7 Cobham Road
Ferndown Industrial Estate
Wimborne, Dorset BH21 7PE
Telephone +44 (0) 1202 897969

Email: sales@cynergy3.com

ISO9001 CERTIFIED

www.cynergy3.com